

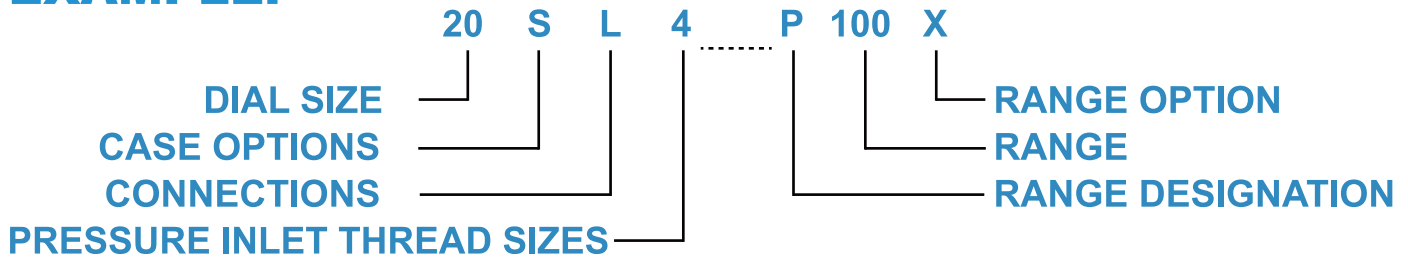
INDUSTRIAL PRESSURE GAUGE



Accuair®

CODING SYSTEM

EXAMPLE:



DIAL SIZE

10:	7/8" (23mm) Diameter Dial Size	22:	27mmx27mm Square Size
12:	1¼" (32mm) Diameter Dial Size	33:	30mmx30mm Square Size
15:	1.5" (40mm) Diameter Dial Size	41:	45mmx13mm Square Size
20:	2.0" (50mm) Diameter Dial Size	42:	40mmx27mm Square Size
24:	2.4" (62mm) Diameter Dial Size	43:	40mmx33mm Square Size
25:	2.5" (63mm) Diameter Dial Size	44:	40mmx40mm Square Size
30:	3.0" (76mm) Diameter Dial Size		
40:	4.0" (100mm) Diameter Dial Size		
60:	6.0" (160mm) Diameter Dial Size		

CASE OPTIONS

- S: Steel black finished case with acrylic snap-in lens, flat dial.
- B: Brass polished finished case with one piece bayonet threaded polycarbonate lens cover, cupped dial.
- P: ABS (black) plastic case.
- G: Painted steel case with one piece bayonet threaded polycarbonate lens cover, cupped dial.
- A: Painted steel case with glass lens and black finished steel friction ring, flat dial.
- D: Painted steel case with acrylic lens and black finished steel friction ring, flat dial.
- C: Steel chrome plate case with chrome steel friction ring and acrylic lens and flat dial.
- E: Steel chrome plate case with snap-in lens, flat dial.
- F: Steel chrome plate case with one piece polycarbonate lens cover, cupped dial.
- K: Stainless steel 300 series case. (liquid fillable). This gauge supplied with brass measuring system.
- H: Stainless steel 300 series case (liquid fillable). This gauge supplied with stainless steel measuring system.
- J: Stainless steel 300 series case with one piece snap-in polycarbonate lens. (Not liquid fillable). This gauge supplied with stainless steel measuring element, flat dial.
- M: Stainless steel 300 series case with stainless steel series 300 friction ring with polycarbonate lens. (This gauge not liquid fillable), flat dial.
- N: Polycarbonate cover for use with 10 dial size gauge only, flat dial.
- L: ABS black plastic liquid fillable heavy duty movement.
- T: Steel black case polycarbonate lens cover, cupped dial.
- U: Drawn steel U-Clamp case.
- Q: Steel black finished case with front flange.
- R: Stainless steel U-Clamp case. This gauge supplied with brass measuring system.
- V: Stainless steel gauge with front flange. This gauge supplied with brass measuring system.
- Z: Stainless steel gauge with front flange. This gauge supplied with stainless steel measuring system.
- Y: Steel black finished case with chrome friction ring, acrylic lens.
- I: Plastic square case.
- O: Steel zinc plate case with glass lens and chrome steel seal the frame ring and flat dial.
- W: Phenolic turret case, safety glass lens.
- X: Other

CONNECTION

- L: Lower male connection location, brass finish.
- P: Center back male connection plastic.
- B: Center back male connection, brass finish.
- R: Lower male connection location, nickel finish.
- V: Center back male connection location, nickel finish.
- U: Center back male connection location, brass finish with U/clamp for panel mounting.
Case supplied with front flange.
- Y: Center back male connection location for flush mounting. Case supplied with front flange.
- I: Lower male connection location, stainless Steel.
- J: Center back male location connection, stainless Steel.
- F: Lower back male connection. Case supplied with front flange.
- E: Center back male connection location, stainless Steel,
with U-Clamp for panel mounting. Case supplied with front flange.
- W: Lower back male connection.
- D: Dual back male connection.
- C: Center back male connection for one piece, brass finish, brass finish.

PRESSURE INLET THREAD SIZES

- 2: 1/2" thread size
- 4: 1/4" thread size
- 8: 1/8" thread size
- 3: 3/8" thread size
- X: None of the above (please list details)

RANGE DESIGNATION

- P: Gauge is scaled in pressure value only.
- V: Gauge is scaled in vacuum value only.
- C: Gauge is scaled in both pressure and vacuum (compound) values.
- F: Gauge is scaled to measure flow rate.

RANGE

Denotes full scale range in psi measurement 0-15, 0-30, 0-60, 0-100, 0-160, 0-200, 0-300, 0-400, 0-600, 0-1000, 0-1500, 0-2000, 0-3000, 0-4000, 0-5000, 0-6000, 0-10000, 0-15000 psig.

LAST LETTER RANGE OPTION

- X: Denotes dual scale, i.e. psi and metric.
- W: Denotes gauge cleaned for gaseous oxygen service.
- L: Litres per minute.
- R: Refrigeration scales.
- D: Digital readout

PRESSURE CONVERSION TABLE

Kg/cm ²	bar	atm	PSI lb/in ²	kPa	MERCURY		WATER	
					Hg		H ₂ O (Aq)	
					m	in	m	ft
1	0.9807	0.9678	14.22	98.07	0.7356	28.96	10.000	32.81
1.0197	1	0.9869	14.50	100.00	0.7501	29.53	10.197	33.43
1.0332	1.0133	1	14.70	101.32	0.760	29.92	10.33	33.90
0.0703	0.0689	0.0680	1	6.894	0.0517	2.036	0.703	2.03
0.0102	0.0100	0.0099	0.1451	1	0.0075	0.2959	0.1020	0.3343
1.3595	1.3332	1.3158	19.34	133.32	1	39.37	13.6	44.60
0.0345	0.0338	0.0334	0.491	3.383	0.0254	1	0.345	1.133
0.1000	0.0981	0.0967	1.422	9.807	0.0735	2.896	1	3.281
0.0305	0.0299	0.0295	0.4335	2.991	0.0224	0.88	0.305	1

The data presented in this bulletin is for informational purpose only.
Specification subject to change without prior notice!

PNEUMATIC / GENERAL EQUIPMENT GAUGES



APPLICATIONS

Installation on pumps, portable compressors, industrial machinery, hydraulic and pneumatic systems, instrument, and pressurized vessels.

STANDARD SPECIFICATIONS

SIZE: 7/8", 1 1/4", 1 1/2", 2", 2 1/2", 3", 4", 6", 1 4/5" X 1/2", 1 1/2" X 1 1/2"

CASE: ABS plastic, steel, chrome plated steel, stainless steel or brass

WINDOW: Glass, snap-in acrylic, or polycarbonate.

MOVEMENT: Brass, precision geared, with hairspring.

BOURDON TUBE: Phosphor bronze or brass

CONNECTIONS: Brass socket 1/8" or 1/4" - Lower mount or center back male

ACCURACY: 3-2-3% Full Scale. Manufactured in accord with ASME/ANSI Standard B. 40-1, 1985.

RANGES: 30" Hg. through 6,000 psi

HOW-TO-ORDER

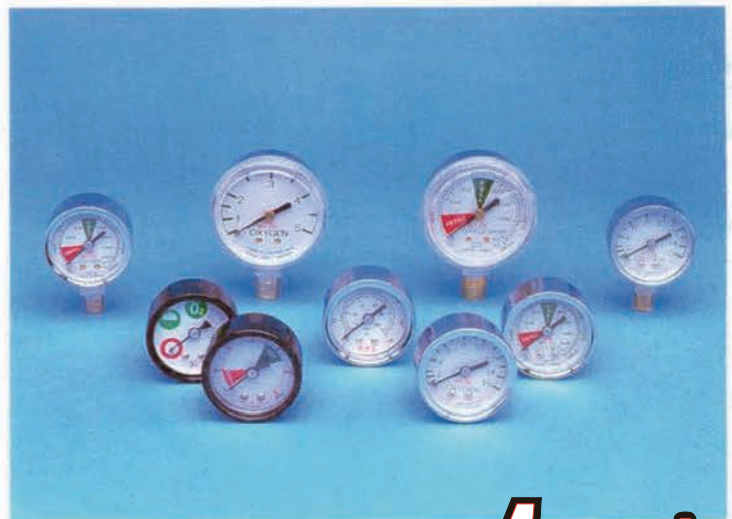
Dial Size	Connection	Plastic case	Steel case	Stainless Steel case	Front Flange case	U-Clamp case
1"	1/8" C.B.M.	10NB8-xxxx				
1 1/2"	1/8" L.M.	15PL8-xxxx	15DL8-xxxx	15JL8-xxxx		
1 1/2"	1/8" C.B.M.	15PB8-xxxx	15DB8-xxxx	15JB8-xxxx		15UB8-xxxx
2"	1/4" L.M.	20PL4-xxxx	20DL4-xxxx	20JL4-xxxx		
2"	1/4" C.B.M.	20PB4-xxxx	20DB4-xxxx	20JB4-xxxx		20UB4-xxxx
2 1/2"	1/4" L.M.	25PL4-xxxx	25DL4-xxxx	25JL4-xxxx	25QL4-xxxx	
2 1/2"	1/4" C.B.M.	25PB4-xxxx	25DB4-xxxx	25JB4-xxxx	25QB4-xxxx	25UB4-xxxx
3"	1/4" L.M.		30AL4-xxxx	30JL4-xxxx	30QL4-xxxx	
3"	1/4" C.B.M.		30AB4-xxxx	30JB4-xxxx	30QB4-xxxx	30UB4-xxxx
4"	1/2" L.M.		40AL2-xxxx	40JL2-xxxx	40QL2-xxxx	
4"	1/2" C.B.M.		40AB2-xxxx	40JB2-xxxx	40QB2-xxxx	40UB2-xxxx
6"	1/2" L.M.		60AL2-xxxx	60JL2-xxxx	60QL2-xxxx	

To complete the part number, please add the full scale pressure value in psi against the specific number that lists above.

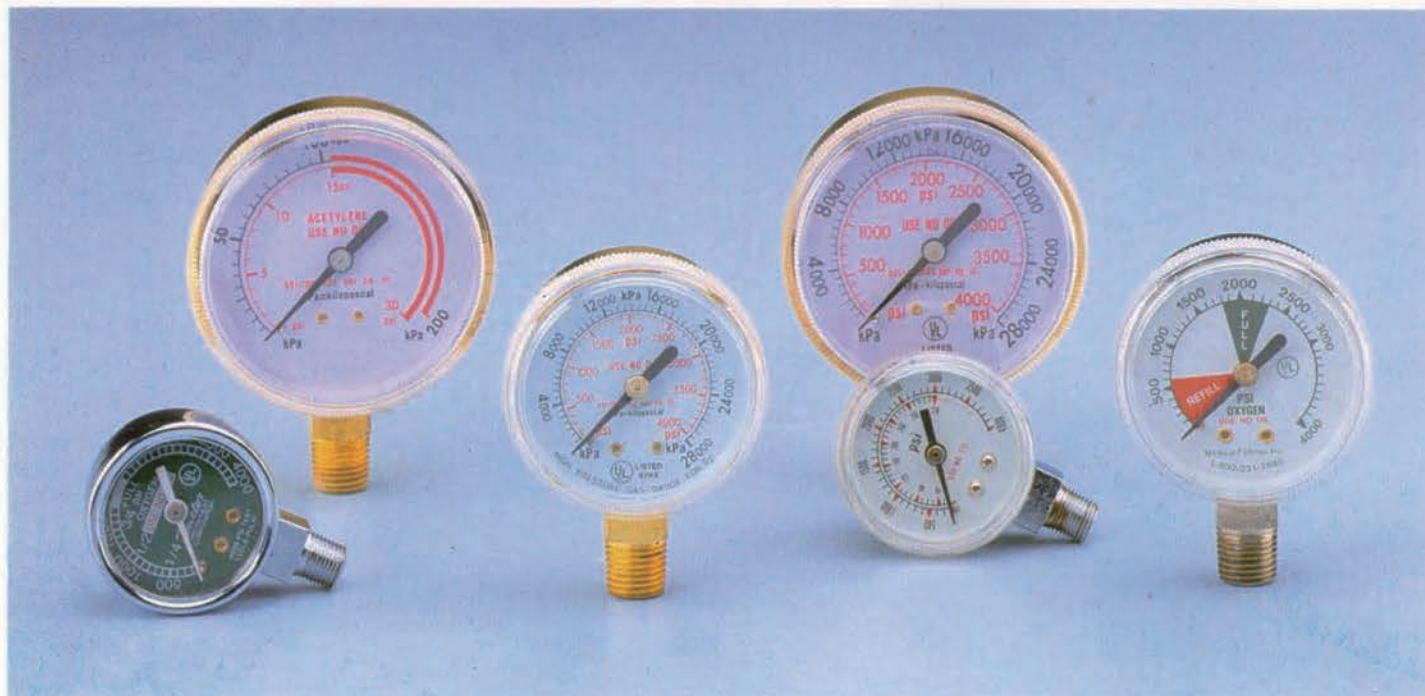
Miniature Gauges



For Medical Purpose



COMPRESSED GAS & WELDING REGULATOR GAUGES



The compressed gas gauges are available in 3 sizes and two versions, high or low pressure. The high pressure unit is used on tank side of compressed gas regulator for measuring cylinder pressure and the remaining amount inside the cylinder. It is produced in accordance with the Underwriters Laboratories standard UL404. The low pressure unit is used on down stream side of regulator to indicate regulated, reduced pressure. Cleanliness is in accordance with Level IV of ANSI B.40-1, 1985.

STANDARD SPECIFICATIONS

SIZE: 1½" (40mm), 2" (50mm) and 2½" (63mm)

CASE: Polished drawn brass, chrome or painted drawn steel.

The high pressure gauges are supplied with safety blow-out relief designs.

WINDOW: Threaded, polycarbonate lens

DIAL: Aluminum, white finish with black markings. "USE NO OIL" printed in red.

BOURDON TUBE: Phosphor bronze; over 1000 psi, silver brazed

MOVEMENT: All brass geared with hairspring

CONNECTION: 1/8" brass for 1½", 2" cases and ¼" for 2½" cases.

ACCURACY: 3-2-3%

RANGES: 0-15, 30, 60, 100, 200, 400, 600, 3000, 4000 psi

PSI RANGE CASE	0-15 psi	0-30 psi	0-60 psi	0-100 psi	0-200 psi	0-400 psi	0-600 psi	0-3000 psi	0-4000 psi
1½" PAINTED STEEL	15GL8-P15W	15GL8-P30W	15GL8-P60W	15GL8-P100W	15GL8-P200W	15GL8-P400W	15GL8-P600W	15GL8-P3000W	15GL8-P4000W
2" PAINTED STEEL	20GL4-P15W	20GL4-P30W	20GL4-P60W	20GL4-P100W	20GL4-P200W	20GL4-P400W	20GL4-P600W	20GL4-P3000W	20GL4-P4000W
2½" PAINTED STEEL	25GL4-P15W	25GL4-P30W	25GL4-P60W	25GL4-P100W	25GL4-P200W	25GL4-P400W	25GL4-P600W	25GL4-P3000W	25GL4-P4000W
2½" BRASS CASE	25BL4-P15W	25BL4-P30W	25BL4-P30W	25BL4-P100W	25BL4-P200W	25BL4-P400W	25BL4-P600W	25BL4-P3000W	25BL4-P4000W

Above models (except 25BL4 series) are supplied with steel cases and painted gold.

* For a special requirement or custom-designed item, please call our sales office.

REFRIGERATION GAUGES



These 2½" case gauges offer several ranges for use with various types of refrigerants. These gauges can be permanently mounted in cooling systems or used on portable manifolds. All gauges feature a one-piece polycarbonate screw-on lens. This provides, quick, easy access to internal front adjusting screw for resetting the pointer. Color coded scales for easy identification.

STANDARD SPECIFICATIONS

SIZE: 2½" (63mm)

CASE: Drawn Steel, corrosion resistant painted and ABS Plastic

WINDOW: One piece threaded polycarbonate lens

DIAL: Aluminum, white with black markings Refrigerant temperature scales R-12, R-22, R-502 in red

BOURDON TUBE: Phosphor bronze

CONNECTION: 1/8" LM or CBM brass

RANGE: Low, 30" Hg. vac-0-120 psi retarded to 350 psi

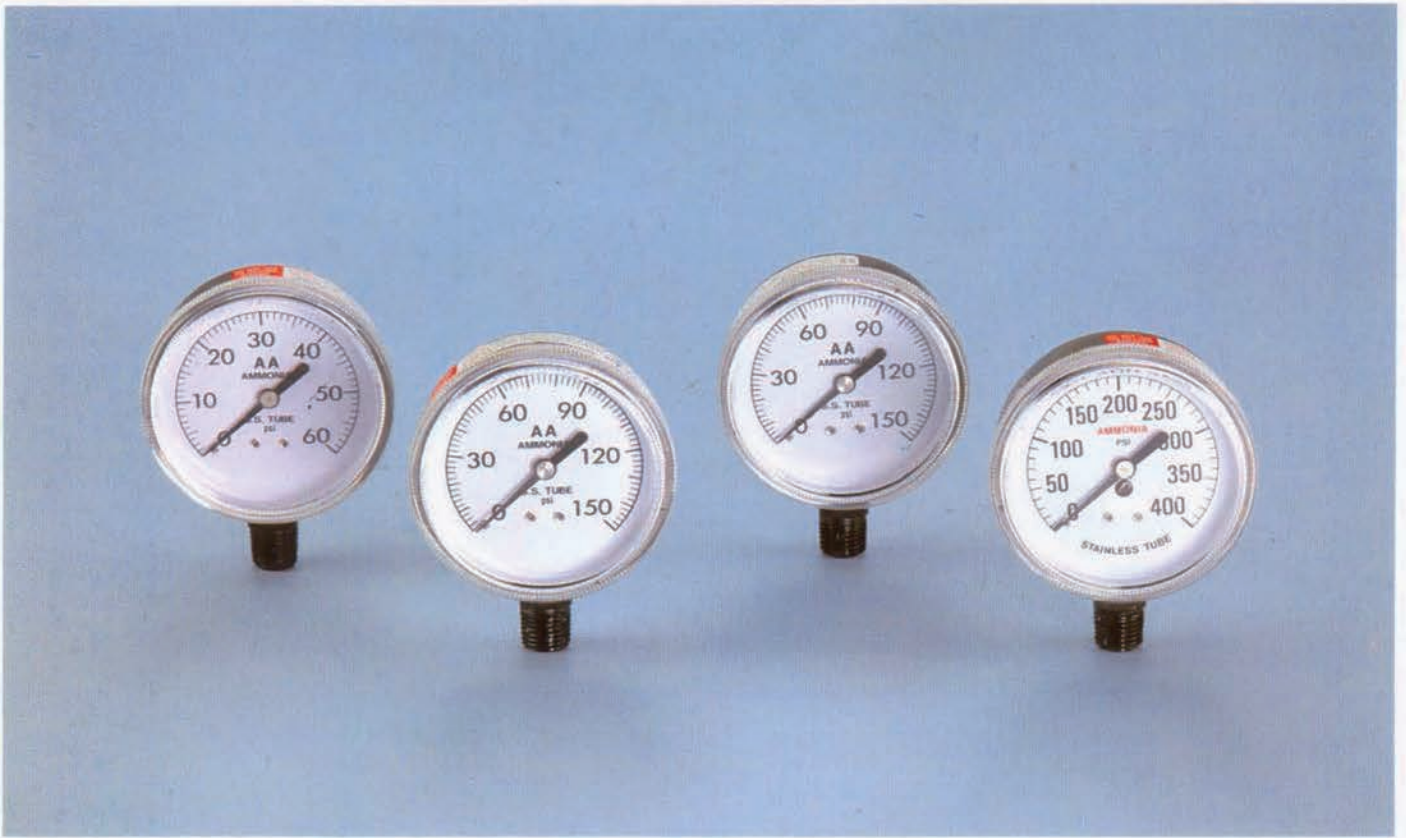
High, 0-500 psi

ACCURACY: 3-2-3%

STEEL CASE W/FRONT FLANGE	STEEL CASE	PLASTIC CASE	RANGE
25QB8-C120	25GL8-C120	25PL8-C120	30" Hg. vac-0-120 psi
25QB8-P500	25GL8-P500	25PL8-P500	0-500 psi

* For a special requirement or custom-designed item, please call our sales office.

AMMONIA GAUGES



These gauges are usually installed in ammonia refrigeration systems. The compound gauges can also be used to handle other chemicals not injurious to wetted parts. The unique precision geared movement greatly extends gauge life, particularly on tough services like ammonia compressors. Temperature equivalent scale in red provide easy analysis of refrigeration systems.

STANDARD SPECIFICATIONS

SIZE: 2½" (63mm)

CASE: Drawn Steel, Gray, with corrosion resistant paint

WINDOW: One piece polycarbonate

DIAL: Aluminum, white background with black markings. Refrigerant temperature scale in red.

MOVEMENT: Precision geared Stainless Steel

BOURDON TUBE: 316 Stainless Steel.

CONNECTION: ¼" LM, Painted Steel

RANGE: 30" Hg.vac-0-150 psi, 30" Hg.vac-0-30 psi. P60, P150 and P400 ranges also available.

ACCURACY: 3-2-3% of span

MODEL	25GL4-C150	25GL4-C300	25GL4-P60	25GL4-P150	25GL4-P400
RANGE	30Hg.vac-0-150 psi	30Hg.vac-0-300 psi	0-60 psi	0-150 psi	0-400 psi

* For a special requirement or custom-designed item, please call our sales office.

DIAPHRAGM GAUGES



Designed for pressure measurement if below 10 psi. These high quality diaphragm gauges feature rugged construction with high sensitivity phosphor bronze diaphragm and are ideally suited for quality concerned low pressure applications such as measuring draft, filter, tank levels, regulating natural gas...etc.

STANDARD SPECIFICATIONS

SIZE: 2½" (63mm), 3" (76mm)

CASE: Steel, painted black

WINDOW: Snap-in acrylic lens

MOVEMENT: Brass, precision geared

DIAPHRAGM: Phosphor bronze

CONNECTION: ¼" lower or center back male brass connection

RANGES: 1" Hg. through 10 psi

RANGE	1/4" LM	1/4" CBM
Pressure	25DL4-Pxxxx	25DB4-Pxxxx
	30DL4-Pxxxx	30DB4-Pxxxx
Vacuum	25DL4-Vxxxx	25DB4-Vxxxx
	30DL4-Vxxxx	30DB4-Vxxxx
Compound	25DL4-Cxxxx	25DB4-Cxxxx
	30DL4-Cxxxx	30DB4-Cxxxx

To complete the model number, please add the full scale pressure/vacuum value to the beginning design identification.

* For a special requirement or custom-designed item, please call our sales office.

HYDRAULIC / GLYCERINE FILLED GAUGES



We are pleased to introduce the most complete line of liquid-fillable gauges found anywhere. More choices of materials and sizes are immediately available. Wherever hostile environments are present or longer life of the gauge is expected, choose from our extensive line of liquid filled models.

STANDARD SPECIFICATIONS

SIZE: 1½" (40mm), 2" (50mm), 2½" (63mm) and 4" (100mm)

CASE: Rugged ABS plastic and stainless steel, with or without flange, panel-mounting U-clamp.

WINDOW: Ultrasonic welded polycarbonate lens for plastic case series and heavy-duty glass lens for stain-less steel case series.

DIAL: Aluminum

BOURDON TUBE: Phosphor bronze or stainless steel

MOVEMENT: Brass or stainless steel

CONNECTION: 1/8", 1/4" brass or stainless steel. Lower mount as well as center back mount.

ACCURACY: 3-2-3%

RANGES: Vacuum, compound and pressure gauge up to 15000 psi.

RUGGED ABS PLASTIC CASES (Supplied with Glycerine Fill)

SIZE	1/8" LM	1/8" C.B.M.	1/4" LM	1/4" C.B.M.
1½"		15LB8-XXXX		
2½"			25LL4-XXXX	

STAINLESS STEEL CASE/BRASS INTERNAL (Glycerine or Dry Gauge)

SIZE	CONNECTION	STANDARD STYLE	FRONT FLANGE	U-CLAMP
2½"	1/4" LM	25KL4-XXXX	25VL4-XXXX	
	1/4" C.B.M.	25KB4-XXXX	25VB4-XXXX	25RB4-XXXX
4"	1/4" LM	40KL4-XXXX	40VL4-XXXX	
	1/4" C.B.M.	40KB4-XXXX	40VB4-XXXX	40RB4-XXXX

ALL STAINLESS STEEL GAUGES (Glycerine or Dry Gauge)

SIZE	CONNECTION	STANDARD STYLE	FRONT FLANGE	U-CLAMP
2½"	1/4" LM	25HI4-XXXX	25ZI4-XXXX	
	1/4" C.B.M.	25HJ4-XXXX	25ZJ4-XXXX	25WJ4-XXXX
4"	1/4" 3/8" 1/2" LM	40HI4-XXXX	40ZI4-XXXX	
	1/4" 3/8" 1/2" C.B.M.	40HJ4-XXXX	40ZJ4-XXXX	40WJ4-XXXX

To complete model number, please add the full scale pressure value to the beginning design identification.

* For a special requirement or custom-designed item, please call our sales office.

DIGITAL PRESSURE GAUGE



DIGITAL PRESSURE GAUGE

30XI4-XXXX-D



Product Overview

Accuair's line of bulk micro-machined, gage and sealed gage digital pressure gauges for both harsh and benign media with the superior accuracy of $\pm 0.25\%$ typical represents a significant cost savings over currently available digital gauges. These compact, robust gauges measure pressures from 15 psi to 7,000 psi and are well suited for a variety of industrial and commercial applications.

Typical Applications

Refrigeration	Process Control	Compressors	Pneumatics	Hydraulics	Flow
Agriculture	Pumps	Spraying Systems	Waste Water	General Industrial	

Special Features

Superb Accuracy $\pm 0.25\%$

Compact size, Excellent Price/ Performance Ratio

Robust Package All laser-welded stainless steel design for optimal media isolation

High and Low Limit Set Points (Optional)

Back Lit Display (Optional)

Multiple Pressure Units (psi, bar, KPa etc.) (Optional)

Maximum Flexibility

Custom ASIC provides signal conditioning and temperature compensation of 0~50°C

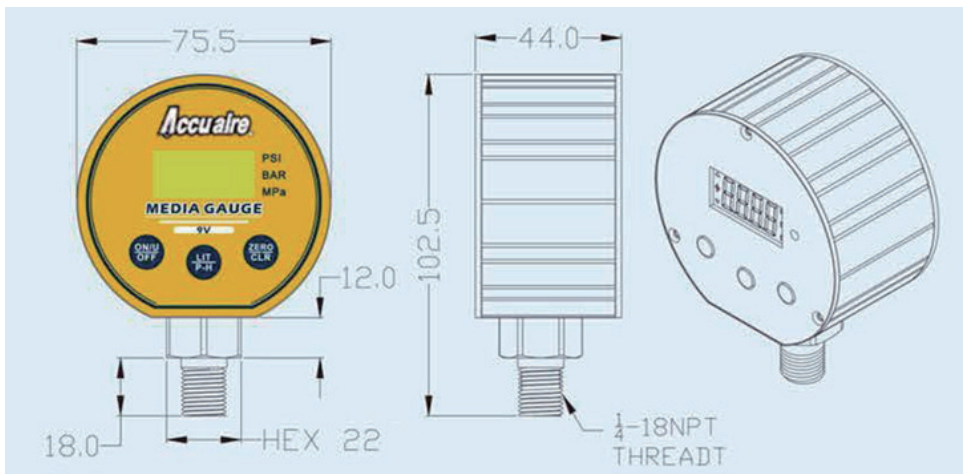
Standard and custom options available

8~30 Volt input with 4~20 mA output/ NPN or PNP

control output (Optional)

Zero Reset

Dimension Drawing



DIGITAL PRESSURE GAUGE

25PI4-XXXX-D



Product Overview

Accuair's cost saving but high performance digital pressure meter is specially designed to handle any applications by measuring air, liquid, and oil pressure. Using the most up to date temperature compensation technology, this compact and user-friendly digital pressure meter having superior accuracy of $\pm 1.0\%$ F.S. typical is to measure pressure range up to 10000 psi. This is superior pressure meter equipped with variety of function such as unit selection, Zero adjustment and other options is also designed to guarantee long battery life therefore can be used for a variety of industrial and commercial applications without replacing battery for 3 years typical.

Special Features

Power Supply: Battery CR123A (3.0V, 1400mAh)

Sampling Rate: 1.2 sec max.

Battery Life: 3 years for continuous operation without backlit. Or, 1.5 years for continuous operation by using backlit for 5 secs, 5 times per day.

Pressure Range: 0 ~ 5,000 PSI

Pressure Unit: PSI, BAR, Kg/cm², MPa

Burst Pressure: 2 x F.S.

Resolution: 1 / 1,500 maximum

Working Temperature: $-10^{\circ}\text{C} \sim +60^{\circ}\text{C}$

Working Humidity: 35~85% RH

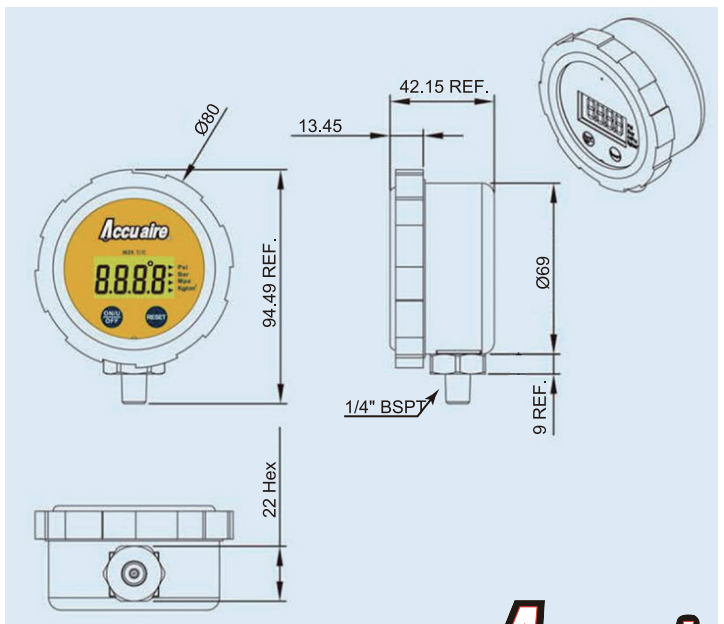
Accuracy : $\pm 1.0\%$ F.S. (@ $25 \pm 3^{\circ}\text{C}$) or $\pm 0.5\%$ F.S. (@ $25 \pm 3^{\circ}\text{C}$)

Port: 1/8 NPT, 1/8 PT(R1/8), 1/4 NPT, 1/4 PT(R1/4)

Measure Media: Gas and Liquid (compatible with SUS304L)

Water Proof: IP65

Dimension Drawing



ISOMETRIC PRESSURE GAUGES



Specifications

SIZE: 2.5" (63mm) and 4" (100mm)

CASE: #304 Stainless Steel Case

WINDOW: Polycarbonate or Glass lens

MOVEMENT: Brass

BOURDON TUBE: #316 Stainless Steel

CONNECTION: 1/4" BSP, Nickel Brass, Lower mount as well as center back mount.

ACUURACY: 1.6%

RANGES: 0-5 / 5-25, 0-8 / 8-25, 0-10 / 10-60, 0-15 / 15-60, 0-20 / 20-60 bar

STANDARD STYLE	DIAL SIZE	RANGE	CONNECTION	ACCURACY
25KL4-xxxx-ISO	63	0-5 / 5-25	1/4" BSP L.M	1.6% to 5 BAR
		0-8 / 8-25		1.6% to 8 BAR
		0-10 / 10-60		1.6% to 10 BAR
		0-15 / 15-60		1.6% to 15 BAR
		0-20 / 20-60		1.6% to 20 BAR

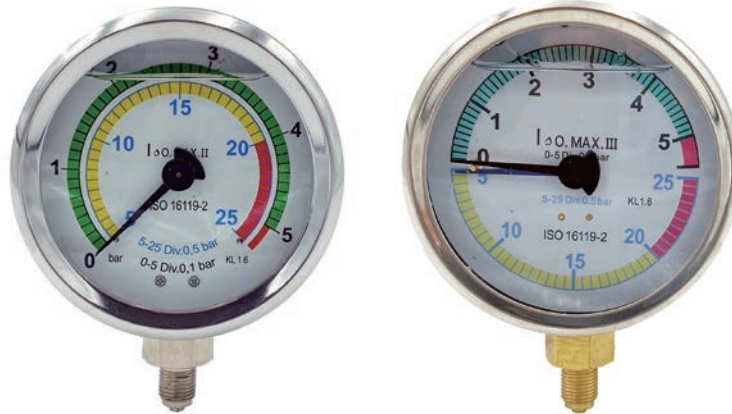
STANDARD STYLE	DIAL SIZE	RANGE	CONNECTION	ACCURACY
40KL4-xxxx-ISO	100	0-5 / 5-25	1/4" BSP L.M	1.6% to 5 BAR
		0-8 / 8-25		1.6% to 8 BAR
		0-10 / 10-60		1.6% to 10 BAR
		0-15 / 15-60		1.6% to 15 BAR
		0-20 / 20-60		1.6% to 20 BAR

STANDARD STYLE	DIAL SIZE	RANGE	CONNECTION	ACCURACY
25KB4-xxxx-ISO	63	0-5 / 5-25	1/4" BSP C.B.M	1.6% to 5 BAR
		0-8 / 8-25		1.6% to 8 BAR
		0-10 / 10-60		1.6% to 10 BAR
		0-15 / 15-60		1.6% to 15 BAR
		0-20 / 20-60		1.6% to 20 BAR

STANDARD STYLE	DIAL SIZE	RANGE	CONNECTION	ACCURACY
40KB4-xxxx-ISO	100	0-5 / 5-25	1/4" BSP C.B.M	1.6% to 5 BAR
		0-8 / 8-25		1.6% to 8 BAR
		0-10 / 10-60		1.6% to 10 BAR
		0-15 / 15-60		1.6% to 15 BAR
		0-20 / 20-60		1.6% to 20 BAR

AGRICULTURE HYDRAULIC PRESSURE GAUGES

Isometric Dual Pointer Design Gauge



NEW

PATENTED

Product Overview

This new Isometric pressure gauge, unlike the current models on the market, which use a single spring for both low and high pressure, uses two different Bourdon tubes for low and high pressure powered by the same connection. So, we have obtained a double pressure gauge with two different manometric movements but integrated in the same gauge that move two overlaid pointers connected to the same central rotation axis on the pressure gauge, indicating the two different pressures on two arcs circumference. This construction increase the life of the pressure gauge.

Furthermore, this new construction achieves the aim of having decimal reading and accuracy.

Operating Conditions

Maximum operating temperature:

Ambient:

- from -10° C to +65° C (glycerine filled)
- from -30° C to +65° C (silicone oil filled)

Process fluid:

- from +5° C to +70° C (glycerine filled)
- from -30° C to +70° C (silicon oil filled)

Operating pressure:

- static: 75% F.S.V
- dynamic: 60% F.S.V.

Overpressure:

Maximum 35% over F.S.V.

Thermal deviation: maximum $\pm 0.3\%$ of span every 10°C of deviation from reference temperature of 20°C

Specifications

Diameter: 100 mm

Ranges: 5-25 and 15-60 bar

Optional: 20-60 and 8-25 bar

Process connection: bottom connection, Nickel plated, Standard thread 1/4" BSP DIN 16288

Precision: 1,6%

Body and ring: stainless steel AISI 304

Movement: Brass

Dial: screen-printed Aluminium

Pointers: painted aluminium
(black for low pressure, blue for high pressure).

Window: Plexiglass

Degree of Protection: IP65

Bourdon tubes: AISI 316 stainless steel and Copper alloy

**DIAPHRAGM TYPE PRESSURE GAUGE DIA. 100mm AND 63mm
BOTTOM CONNECTION 1/4 - 1/2 BSP OR NPT. WITH DIAPHRAGM TYPE.**

CODE	RANGE	DIAM.	CONNECTION	TYPE	ACCURACY
25KL4-P25(BAR)X SD4BS	25BAR	63	1/4 BSP	BOTTOM	1 OR 1.6%
25KL4-P100(BAR)X SD4NT	100BAR	63	1/4 NPT	BOTTOM	1 OR 1.6%
25KL4-P250(BAR)X SD2BS	250BAR	63	1/2 BSP	BOTTOM	1 OR 1.6%
25KL4-P400(BAR)X SD2NT	400BAR	63	1/2 NPT	BOTTOM	1 OR 1.6%
40KL4-P25(BAR)X SD4BS	25BAR	100	1/4 BSP	BOTTOM	1 OR 1.6%
40KL4-P100(BAR)X SD4NT	100BAR	100	1/4 NPT	BOTTOM	1 OR 1.6%
40KL4-P250(BAR)X SD2BS	250BAR	100	1/2 BSP	BOTTOM	1 OR 1.6%
40KL4-P400(BAR)X SD2NT	400BAR	100	1/2 NPT	BOTTOM	1 OR 1.6%



**SIMPLY VITON DIAPHRAGH TYPE PRESSURE GAUGES DIA. 63mm BRASS
BOTTOM CONNECTIONS 1/4 - 1/2 BSP OR NPT. WITH S.STEEL DIAPHRAGM EQUIPPED.**

CODE	RANGE	DIAM.	CONNECTION	TYPE	ACCURACY
25KL4-P6(BAR)X S4D	6BAR	63	1/4 BSP , 1/4 NPT	BOTTOM	1.6%
25KL4-P25(BAR)X S4D	25BAR	63	1/4 BSP , 1/4 NPT	BOTTOM	1.6%
25KL4-P4(BAR)X S2D	4BAR	63	1/2 BSP , 1/4 NPT	BOTTOM	1.6%
25KL4-P16(BAR)X S2D	16BAR	63	1/2 BSP , 1/4 NPT	BOTTOM	1.6%



**P P DIAPHRAGH GLYCERINE FILLED PRESSURE GAUGES AND DIA. 65mm
BOTTOM CONNECTIONS FEMAIL 1/4 - 1/2 BSP OR NPT.**

CODE	RANGE	DIAM.	CONNECTION	TYPE	ACCURACY
25LL2-P25(BAR)XD	0-25 BAR/PSI	65	1/2 BSP , 1/2 NPT	BOTTOM	1.6%
25LL4-P10(BAR)XD	0-10 BAR/PSI	65	1/4 BSP , 1/4 NPT	BOTTOM	1.6%



Accuair Corporation
 6F, NO. 364, SEC. 1, NANGANG ROAD, TAIPEI 11579, TAIWAN, R.O.C.
 TEL: 886 2 26559222 (REP.) FAX: 886 2 26559111/2
 http://www.accuair.net E-MAIL: sales@accuair.net



CUSTOMER DESIGN ODM / OEM



* We can design and develop a new item according to customer's requirement.

Accuair®



ACMIRSE-4

NOMINAL SIZE:

1-1/2"(40MM) (Item no: ACMIRSE-4-15)

1-1/4"(30MM) (Item no: ACMIRSE-4-12)

- Includes pressure gauge that reads up to 160 PSI / 11bar
- Fits all leading spray guns
- Can be used on HVLP spray guns
- Air Inlet 1/4" NPT or BSPT Male
- Air Outlet 1/4"NPS or BSP Female (Swivel Nut)



ACMIRHN-L4

NOMINAL SIZE:

1-1/2"(40MM) (Item no: ACMIRHN-L4-15)

1-1/4"(30MM) (Item no: ACMIRHN-L4-12)

- Designed especially for HVLP spray guns
- Includes pressure gauge that reads up to 160 PSI / 11bar
- Air Inlet 1/4" NPT or BSPT Male
- Air Outlet 1/4" NPS or BSP Female (Swivel Nut)



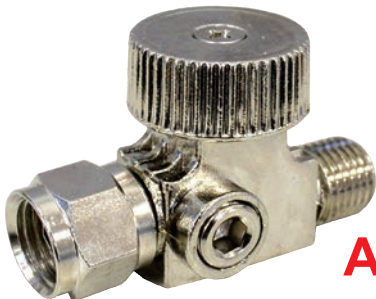
ACMIRSD-4

NOMINAL SIZE:

1-1/2"(40MM) (Item no: ACMIRSD-4-15)

1-1/4"(30MM) (Item no: ACMIRSD-4-12)

- Includes digital pressure gauge that reads up to 160 PSI / 11bar
- Fits all leading spray guns
- Can be used on HVLP spray guns
- Air Inlet 1/4" NPT or BSPT Male
- Air Outlet 1/4" NPS or BSP Female (Swivel Nut)



ACMIRSE-3

- Precision tapered valve
- Full open to close with approximately 4 turns
- Infinitely adjustable
- Large, easy to handle knob
- Air Inlet 1/4" NPT or BSPT Male
- Air Outlet 1/4" NPS or BSP Female (Swivel Nut)



ACMIRSL-4

NOMINAL SIZE:

1-1/2"(40MM) (Item no: ACMIRSL-4-15)

1-1/4"(30MM) (Item no: ACMIRSL-4-12)

- Includes digital pressure gauge that reads up to 160 PSI / 11bar
- Fits all leading spray guns
- Air Inlet 1/4" NPT or BSPT Male
- Air Outlet 1/4" NPS or BSP Female (Swivel Nut)



AIR ADJUSTING VALVE



ACMIRSE-4D

NOMINAL SIZE: 1-1/4"(30MM)

- Includes digital pressure gauge that reads up to 120 PSI / 8bar
- Fits all leading spray guns
- Can be used on HVLP spray guns
- Air Inlet 1/4" NPT or BSPT Male
- Air Outlet 1/4" NPS or BSP Female (Swivel Nut)



ACMIRHN-VD

NOMINAL SIZE: 1-1/4"(30MM)

- Small, lightweight unit attaches to any HVLP spray gun for precise air pressure setting at the run
- Easy to read 0-120 PSI / 8bar digital pressure gauge
- Air Inlet 1/4" BSPT or NPT Male
- Air Outlet 1/4" NPS or BSP Female



ACMIRSD-4D

NOMINAL SIZE: 1-1/4"(30MM)

- Includes digital pressure gauge that reads up to 120 PSI / 8bar
- Fits all leading spray guns
- Can be used on HVLP spray guns
- Air Inlet 1/4" BSPT or NPT Male
- Air Outlet 1/4" NPS or BSP Female (Swivel Nut)

Porauto Industrial Co., LTD

6F, NO. 364, SEC.1, NANGANG ROAD, TAIPEI 11579, TAIWAN

TEL. : 886-2-2655-9222 (REP.) FAX : 886-2-2655911/2

<http://www.accuair.net>

e-mail : sales@accuair.net

-19-





AIR REGULATOR



ACMIRPR-4A-15

NOMINAL SIZE: 1-1/2"(40MM)



ACMIRPR-4-15

NOMINAL SIZE: 1-1/2"(40MM)



ACMIRPR-BGD-12

NOMINAL SIZE: 1-1/4"(30MM)

- Small, lightweight unit attaches to any spray gun (including HVLP) air pressure regulation
- A true diaphragm regulator
- Push-pull lock pressure setting
- Easy to read 0-160 PSI Gauge (ACMIRPR-BGD is digital pressure 0-120PSI)



ACMIRPR-4S-12

NOMINAL SIZE: 1-1/4"(30MM)



ACMIRPR-5-15

NOMINAL SIZE: 1-1/2"(40MM)



AIR FILTER / OILER

WATER SEPARATOR



ACMIRS-62-P



ACMIRS-62-B

- Removes Uiland Water
- Very Minor Pressure Reduction in Line
- Attaches Easily Between Gun and Line
- Size: 85x40mm
- Air Inlet 1/4" BSP or NPS Male
- Air Outlet 1/4" BSPT Female

MINI OILER



ACMIRS-63

- The Lubricator Feeds The Oil Directly Into The Air Line So As To Lubricate Your Tools And Cylinders And Protect Them Against Rust
- Air Inlet 1/4" BSP or NPS Male
- Air Outlet 1/4" BSPT or NPT Female
- Size: 85x40mm

Porauto Industrial Co., LTD

6F, NO. 364, SEC.1, NANGANG ROAD, TAIPEI 11579, TAIWAN

TEL. : 886-2-2655-9222 (REP.) FAX : 886-2-26559111/2

<http://www.accuair.net>

e-mail : sales@accuair.net



INDUSTRIAL THERMOMETERS

- BI-THERMOMETERS
- CAPILLARY THERMOMETERS
- OEM / ODM



BVC



BS40



DPDT25



V4



WELL



BL15



BL40



Porauto Industrial Co., LTD
6F, NO. 364, SEC.1, NANGANG ROAD, TAIPEI 11579, TAIWAN
TEL. : 886-2-2655-9222 (REP.) FAX : 886-2-2655911/2
<http://www.accuair.net> -22- e-mail : sales@accuair.net





SPECIAL THREADED THERMOWELLS USING 1-4" DIAMETER COMPONENT

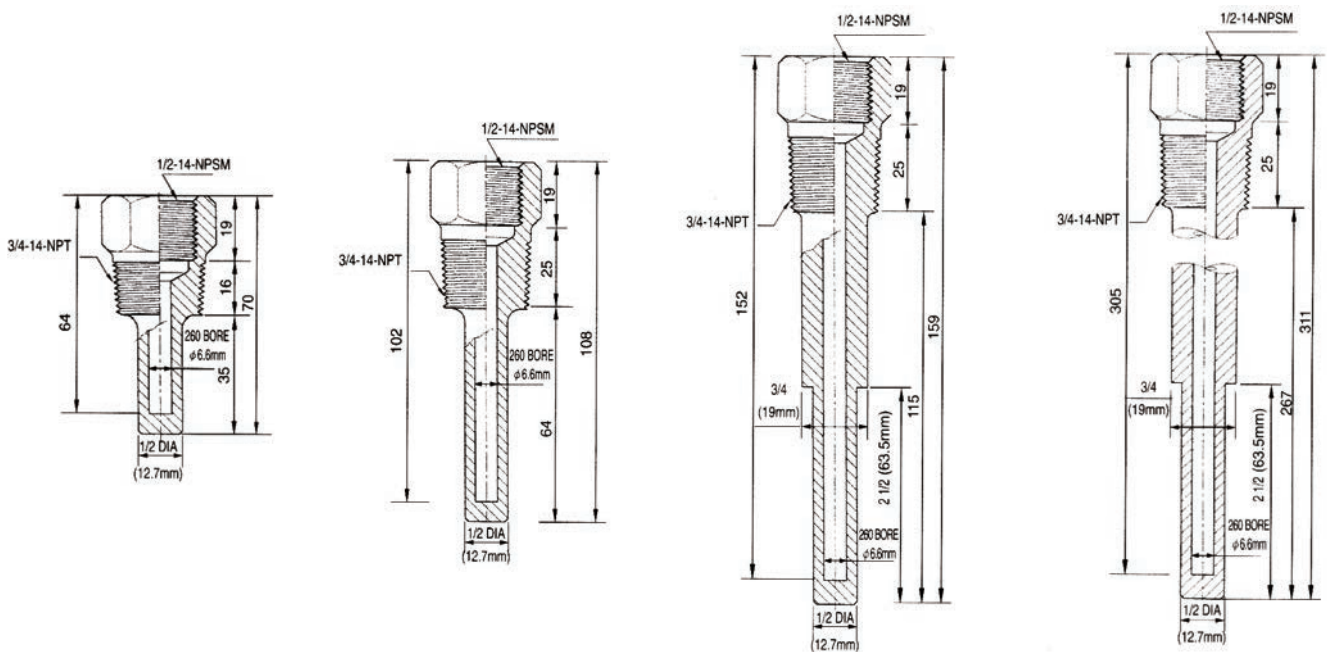
APPLICATION: Standard length, 1/4" stem diameter, bimetal thermometers; unarmored liquid-in-glass test thermometers. Standard thermowell is stepped to 1/2", if straight shank is needed please specify.

PROCESS CONNECTIONS SIZE: 1/2", 3/4" and 1" NPT are standard. Other thread size also available upon request.

MATERIALS: Brass; Carbon Steel; 304SS; 316SS; are offered by us. Other special materials available upon request.

CAP & CHAIN: Available upon request for keeping thermowell clean tidy and protected from dirt when not using. (Not shown)

NOTE: On wells with 1/2" NPT process connection, the 1" thread allowance and 3/4" wrench allowance dimensions are diverted in accordance to the 1/2" NPSM female thread.



Process Connection	Model Number	Stem Length		Instruction Length		Diameter		Overall Length (O.A.L)	
		in	mm	in	mm	in	mm	in	mm
3/4-14-NPT	025-S316	2-1/2	64	1-3/8	35	3/4	19	2-3/4	70
	040-S316	4	102	2-1/2	64	3/4	19	4-1/4	108
	060-S316	6	152	4-1/2	115	3/4	19	6-1/4	159
	120-S316	12	305	10-1/2	267	3/4	19	12-1/4	311

AUTO, MARINE & INDUSTRIAL PANEL MOUNT GAUGES



Accuair®

Porauto Industrial Co., LTD
6F, NO. 364, SEC.1, NANGANG ROAD, TAIPEI 11579, TAIWAN
TEL. : 886-2-2655-9222 (REP.) FAX : 886-2-26559111/2
<http://www.accuair.net> e-mail : sales@accuair.net

